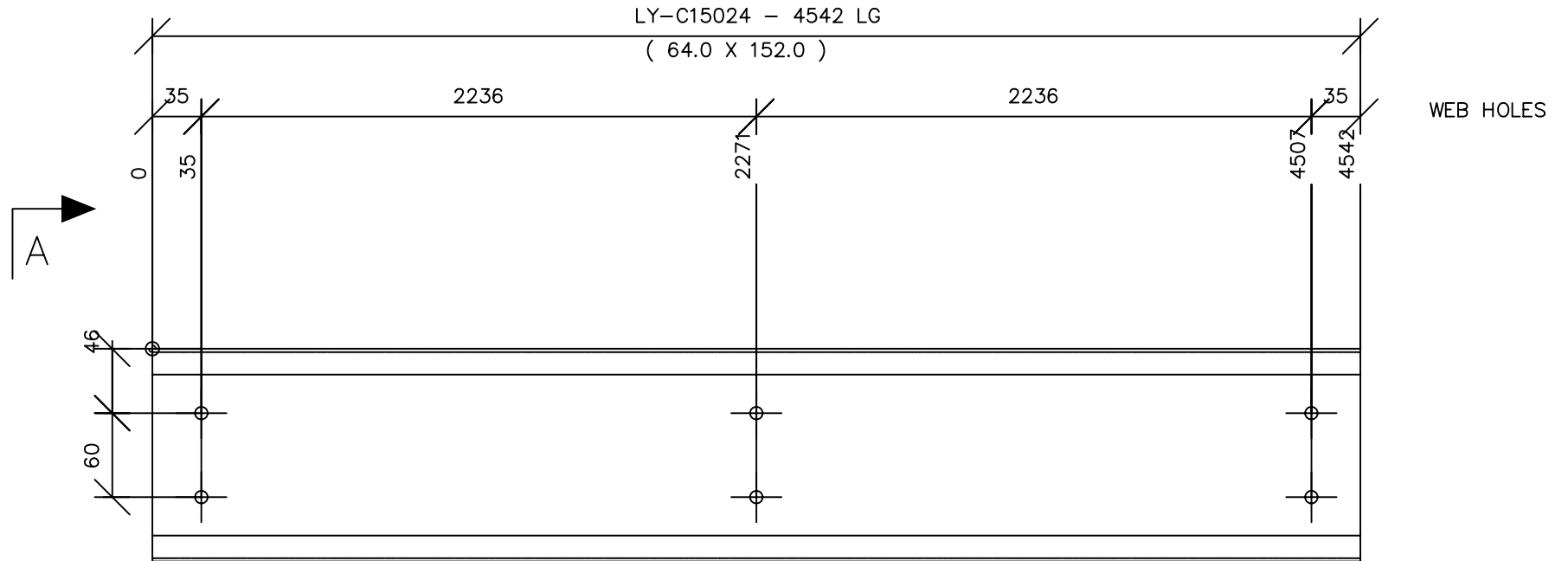



SHOP MATERIAL LIST FOR 1 ASSEMBLIES					
MARK	SIZE	LENGTH MM	No	AREA M2	WEIGHT KG
P8035	PURLIN		1	2.82	25.1
	LY-C15024	4542	1	2.82	25.1
TOTAL			2.82	25.1	



VIEW A-A

1 REQ'D AS DRAWN P8035

STRUCAD

 INFO DRAFT AUSTRALIA 3D STRUCTURAL STEEL DETAILING <small>UNIT 3/2 - MULGILL ROAD - MALAGA - WA 6090</small> <small>PH : (08)9248 6519 FAX : (08)9248 7196</small>		CLIENT: XXXX		
		PROJECT: SMITHS BEACH RESORT UNITS 36-39 ROOF STEEL SMITHS BEACH ROAD, YALLINGUP		
REV	SCALE	JOB NUMBER	MEMBER	DRAWING NUMBER
0	NTS	XXXX	PURLIN	P8035
DRAWN BY:		DATE:		